

FLAME SENSOR WITH SPEAKER

FS-3000E

**HIGH SENSITIVITY
FOR INDOOR USE**



FLAMES DO NOT WAIT ! A WARNING MESSAGE BEFORE IT GROWS INTO "FIRE".

DETECTS SMALL FLAMES IMMEDIATELY ! AN ULTRAVIOLET RAY DETECTION FLAME SENSOR THAT OUTPUTS WARNING MESSAGES IN DIFFERENT LANGUAGES.

GENERAL DESCRIPTION

Flame sensor FS-3000E quickly detects ultraviolet rays contained in flames and activates the built in message speaker.

CONVENIENT INSTALLATION BY BATTERY

FS-3000E can be powered from either type-3 alkaline battery or optional lithium battery.

EXTERNAL OUTPUT TO A SECURITY SYSTEM

FS-3000E does not only output a warning message but also outputs a form A (N/O) external output. It can be connected to a control panel which enables operation of other security equipments as a security system.

4 SELECTABLE LANGUAGES

The voice message can be selected among 4 languages. The speaker volume can be adjusted by the volume switch on the back.

OTHER FUNCTIONS

- Compact design enables FS-3000E to be installed at any location. Easy separation of the sensor unit from the base simplifies installation and maintenance.
- The LED flashes (lights approx. 0.1 sec / approx. 5 secs.) to annunciate low battery condition.
- When power is turned on, 3 alarm sounds are activated. If no alarm sound is activated, check the power source.

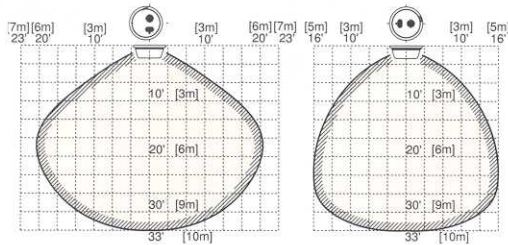
OPERATION SET- UP BY DETECTION TIMER

The alarm will be activated only when the sensor detects a flame (ultraviolet ray) in accordance with the detection timer. The 4 following detection times are selectable by the mode selector on the sensor body.
(0.2 secs., 1 sec., 6 secs., 30 secs.,)

FLAME SENSOR WITH SPEAKER

DETECTION AREA

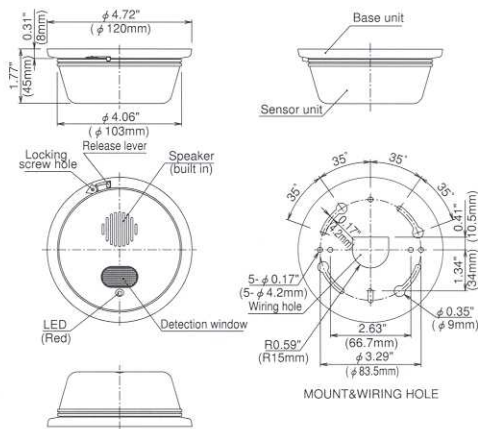
(FRONT VIEW : CEILING MOUNT) (SIDE VIEW : CEILING & WALL MOUNT)
(TOP VIEW : WALL MOUNT)



CONDITION OF DETECTION AREA

DETECTION TIMER : 0.2 sec.
SIZE OF FLAME : APPROX. 2.75"(7cm)
ORIGIN OF FLAME : GAS LIGHTER

EXTERNAL DIMENSIONS (Unit : inch)



OPTIONALS

Ceiling/wall
mount attachment



BCW-401

Exclusive lithium
battery



CR17450E-R-2-CM2

SPECIFICATIONS

PRODUCT NAME	FLAME SENSOR WITH SPEAKER	
MODEL NO.	FS-3000E	
DETECTION SYSTEM	Ultraviolet rays detection (Detected wave length <185 to 260nm>)	
DETECTION DISTANCE	33ft. (10m) [2.75"(7cm) flame]	
DETECTION ANGLE	Approx. 120° (conically)	
SENSITIVITY ADJUSTMENT	Detection timer (0.2secs., 1sec., 6secs., 30secs.)	
POWER SUPPLY	<ul style="list-style-type: none"> Type-3 alkaline battery (LR6) × 2(3V) . . . accessory Exclusive lithium battery (CR17450E-R-2-CM2) × 1(3V) . . . optional 	
POWER	Stand by	70 μA or less
CONSUMPTION	Operate	300mA or less (at max. volume of speaker activating)
BATTERY LIFE	Using type-3 alkaline battery . . . approx. 2 years (at stand by) Using exclusive lithium battery . . . approx. 5 years (at stand by)	
LED	Indication : Red LED Alarm : Flash during message output Low battery : Light on 0.1 sec. every approx. 5 secs.	
WARNING MESSAGE OUTPUT	Operation	Output warning message when detecting flames.
	Message selection	4 options *English *Spanish *French *Italian Volume : Mute - max. approx. 80dB (3.3ft. <1m> from the front of speaker.)
EXTERNAL OUTPUT	NPN open collector output 30V (DC) 50mA, one-shot operation ("ON" when outputting) Output time : Same as message output time.	
WIRING	Terminals	
AMBIENT TEMP. RANGE	14°F to 140°F (-10°C to +60°C) without condensation Battery performance may decrease under 32°F(0°C) or beyond 104°F(40°C)	
INSTALLATION	Indoor (Ceiling or wall mount)	
WEIGHT	approx. 8.1oz (230g) including battery(accessory) 1.8oz (50g)	
APPEARANCE	ABS resin (white)	
ACCESSORIES	<ul style="list-style-type: none"> Tapping screw φ4×25 2 pcs. Sensor locking screw φ3×6 1 piece Exclusive battery case of Type-3×2 1 piece Type-3 alkaline battery LR6×2 	

Please Note : This sensor is designed to detect ultraviolet rays contained in flames and to initiate an alarm; it is not a fire-preventing device. PULNiX is not responsible for damage, injury or losses caused by accident, theft, Acts of God (including inductive surge by lightning), abuse, misuse, abnormal usage, faulty installation or improper maintenance.

LEAF 11-01E17-3

PULNiX

In Japan

Takenaka Engineering Co., Ltd
83-1, Gojo-sotokan,
Higashino, Yamashina-ku,
Kyoto 607-8156, Japan
Tel : 81-75-501-6651
Fax : 81-75-593-3816
<http://www.take-ex-eng.co.jp/>

In the U.S.

Pulnix Sensors Inc.
230 E. Caribbean Drive
Sunnyvale,
CA 94089, U.S.A.
Tel : 408-747-0100
Fax : 408-734-1100
<http://www.pulnixsensors.com/>

In Australia

Pulnix Sensors Inc.
Unit 16, 35 Garden Road,
Clayton, Victoria 3168,
Australia
Tel : 03-9546-0533
Fax : 03-9547-9450
<http://www.pulnixsensors.com.au/>

In the U.K.

Pulnix Europe Ltd.
Pulnix House, Aviary Court,
Wade Road, Basingstoke,
Hampshire. RG24 8PE, U.K.
Tel : 01256-475555
Fax : 01256-466268
<http://www.pulnix.co.uk/>